

## TagLock™ Securing Device for 480/600V Breaker

Catalog #: 148701, 148687 & 148686

[www.bradyid.com](http://www.bradyid.com) / [www.bradyeurope.com](http://www.bradyeurope.com)

### Design

- Extremely versatile device, works on a wide range of single-pole breakers
- Secure with 50 lb. minimum strength non-releasable nylon fasteners (shown) or padlock
- Made of rugged polypropylene and impact modified nylon
- Use thumbscrew to clamp lockout securely onto switch tongue, then pull cover over thumbscrew and lock in place to prevent clamp from being loosened
- Blade design provides tighter grip with less torque on thumbscrew
- Accepts lock shackles up to 9/32" [7.1mm] in diameter, and comes with detachable cleats to expand the range of applicable breakers

### Material

- Taglock, Cleat and Body - Polypropylene
- Color: Body - Red (PMS 1805C)
- Slide, Slidelock and Thumbscrew = Glass-filled Nylon
- Screw and Blade - Stainless Steel
- Color: Slide, Slidelock and Thumbscrew - Black
- UL Rating: UL 94 - HB

### Temperature Range

- Polypropylene Housing: : -20° to 80°C (0° to 175°F)
- Glass-filled Nylon: -20° to 120°C (0° to 250°F)

### Chemical Resistance

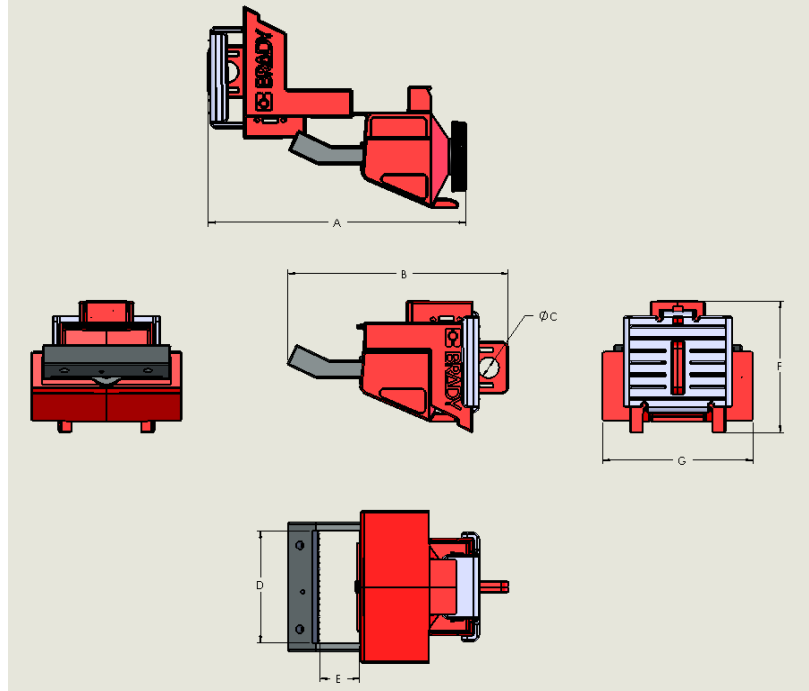
All approved chemicals listed are based on the manufactures specified chemical resistance chart for plastic material only. All other materials in the device are made of steel.

### Dimensions

"A"	–	3.723" [94.56mm]
"B"	–	3.185" [80.90mm]
"C"	–	0.302" [7.66mm]
"D"	–	1.610" [40.89mm]
"E"	–	0.574" [14.58mm]
"F"	–	1.892" [48.07mm]
"G"	–	2.175" [55.25mm]



Chemical	°C	Chemical	°C
Acetone	25	Petroleum	25
Acetone	60	Turpentine oil	25
Chlorine, chlorine water	25	Turpentine substitute (white spirit)	25
Fuel, engine: Gasoline (normal & premium grade)	85	Trichloroethane 1,1,1	45
Lubrication oil: gear oil	< 120	Lubricating oil: HD engine oils, hydraulic oils, transformer oils	< 120
Fuel, engine: M15 mixture (15% methanol)	70	Water (including seawater)	25
Methanol	25	Water (including seawater), chlorinated (<0,5 mg/l)	80



Warranty

**Note:** All values shown are averages and should not be used for specification purposes. Test data and test results contained in this document are for general information only and shall not be relied upon by Brady customers for designs and specifications, or be relied on as meeting specified performance criteria. Customers desiring to develop specifications or performance criteria for specific product applications should contact Brady for further information. Product compliance information is based upon information provided by suppliers of the raw materials used by Brady to manufacture this product or based on results of testing using recognized analytical methods performed by a third party, independent laboratory. As such, Brady makes no independent representations or warranties, expressed or implied, and assumes no liability in connection with the use of this information.

Circuit Breaker Cross Reference Guide

Circuit Breaker Manufacture	Breaker Type	# of Poles	Circuit Breaker Manufacture	Breaker Type	# of Poles	Circuit Breaker Manufacture	Breaker Type	# of Poles
ABB	JS	2-3	General Electric	SGP	2-3	Siemens ITE	JXD2-A	2-3
ABB	S3	3	General Electric	SRPG	3	Siemens ITE	LL3	3
American Ckt. Bkr.	NJJ	3	General Electric	TFJ	2-3	Simplex	NX	3
Challenger	CDK	2-3	General Electric	TFK	2-3	Square D	KAP	
Cutler Hammer	CHKD	2-3	General Electric	TFL	3	Square D	LA	2-3
Cutler Hammer	CHND	2-4	General Electric	THFK	2-3	Square D	LAL	2-3
Cutler Hammer	CKD	2-3	General Electric	THJK4	2-3	Square D	LAP	3
Cutler Hammer	CND	2-4	General Electric	THJK6	2-3	Square D	LH	2-3
Cutler Hammer	CNDC	2-4	General Electric	TJ2	2-3	Square D	LHL	3
Cutler Hammer	DK	2-3	General Electric	TJ4	3	Square D	LHP	
Cutler Hammer	HJD	2-4	General Electric	TJD	2-3	Square D	MA	2-3
Cutler Hammer	HKD	2-4	General Electric	TJJ	2-3	Square D	MH	2-3
Cutler Hammer	HMCP	2-3	General Electric	TJK	2-3	Square D	ML-1	3
Cutler Hammer	HMPL	3	General Electric	TJS	2-3	Square D	Q4	2-3
Cutler Hammer	HND	2-4	General Electric	TK4V	3	Square D	Q4L	2-3
Cutler Hammer	JD	2-4	Merlin Gerin	CJ	3	Square D	Y1	
Cutler Hammer	JDB	2-3	Siemens ITE	CFD6	2-3	Westinghouse	DA	
Cutler Hammer	JDC	2-4	Siemens ITE	CFD6-ETI	2-3	Westinghouse	DK	
Cutler Hammer	KD	2-4	Siemens ITE	CJ3		Westinghouse	FP	3
Cutler Hammer	KDB	2-4	Siemens ITE	CJD6	2-3	Westinghouse	GR	3
Cutler Hammer	KDC	2-4	Siemens ITE	CJD6-ETI	2-3	Westinghouse	HKD	3
Cutler Hammer	LA	2-3	Siemens ITE	CLF	2	Westinghouse	HLA	
Cutler Hammer	LH	3	Siemens ITE	FD6A	2-3	Westinghouse	HLB	
Cutler Hammer	LHB	3	Siemens ITE	FJ2-B	2-3	Westinghouse	HMC	
Cutler Hammer	MA	2-3	Siemens ITE	FJ3	2	Westinghouse	JA	
Cutler Hammer	MC	2-3	Siemens ITE	FJ6	2	Westinghouse	JB	3
Cutler Hammer	ND	2-4	Siemens ITE	FXD6A	2-3	Westinghouse	JD	2-4
Cutler Hammer	NDC	2-4	Siemens ITE	FXD6-ETI	2-3	Westinghouse	JDB	3
Cutler Hammer	OPTIM	3	Siemens ITE	HFD6	2-3	Westinghouse	KA	3
Fed. Pacific Elec	NA-single	3	Siemens ITE	HFXD6	2-3	Westinghouse	KB	
Fed. Pacific Elec	NJJ	1-3	Siemens ITE	HHFD6	2-3	Westinghouse	LA	3
Fed. Pacific Elec	NJL	1-3	Siemens ITE	HHJD6	2-3	Westinghouse	LB	
Fed. Pacific Elec	NM	1-3	Siemens ITE	HHJXD6	2-3	Westinghouse	LBB	3
General Electric	EH400	3	Siemens ITE	HJD6	2-3	Westinghouse	LH	
General Electric	SGD	2-3	Siemens ITE	HJXD6	2-3	Westinghouse	MA	2-3
General Electric	SGH	2-3	Siemens ITE	JD6-A	2-3	Westinghouse	MC	2-3
General Electric	SGL	2-3	Siemens ITE	JJ3	0	Westinghouse	MCC	2-3
General Electric	SGLA	2-3	Siemens ITE	JL3	3	Westinghouse	RH	3

**MSDS Information**

**1. HAZARDS IDENTIFICATION**

This product is NOT DANGEROUS and contains no hazardous ingredients.

**2. FIRST AID MEASURES/HEALTH INFORMATION /PROTECTION**

Eye Contact:	Not applicable, product is inert
Ingestion:	Not applicable, first aid is not normally required.
Inhalation:	Not applicable
Skin Contact:	Not applicable, product is inert, except if product is melted use gloves. For hot melted product, immerse in or flush affected area with water to dissipate heat, then obtain medical attention.
Exposure Limits:	None
Threshold Limits	None
Personal Protection:	None (ambient conditions)
NPCA-HMIS Rating:	Health: 0; Flammability: 1; Reactivity: 0
NFPA-704 Rating:	Health: 0; Flammability: 1; Reactivity: 0

**3. FIRE-FIGHTING MEASURES**

<ul style="list-style-type: none"> <li>Be cautious of hot melted Nylon</li> </ul>	<ul style="list-style-type: none"> <li>Use water spray to cool fire, exposed surfaces, and to protect personnel</li> </ul>
<ul style="list-style-type: none"> <li>Isolate product from fire</li> </ul>	<ul style="list-style-type: none"> <li>Respiratory and eye protection is required for firefighting personnel</li> </ul>
<ul style="list-style-type: none"> <li>Extinguish fire with water spray</li> </ul>	<ul style="list-style-type: none"> <li>Decomposition products under fire conditions: Oxygen-lean conditions may cause monoxide and irritating smoke</li> </ul>

**4. ACCIDENTAL RELEASE MEASURES**

Land	Recover material and place in suitable container for reuse or for disposal in conformance with local regulations.
Water	Recover material and place in suitable container for reuse or for disposal in conformance with local regulations.

**5. HANDLING AND STORAGE**

5.1 Handling	5.2 Storage
No precautions noted-see local regulation if needed	Storage pressure: Atmospheric
	Storage temperature: Ambient, no direct sunlight

**6. EXPOSURE CONTROLS/PERSONAL PROTECTION**

6.1 Exposure limit values	6.2 Exposure Controls
None	6.2.1 Occupational Exposure Controls
	6.2.1.1 Respiratory Protection: Not applicable
	6.2.1.2 Hand Protection: Not applicable
	6.2.1.3 Eye Protection: Not applicable
	6.2.1.4 Skin Protection: Not applicable
	6.2.2 Environmental Exposure Controls: No data available

**7. PHYSICAL AND CHEMICAL PROPERTIES**

General Information	
Other Information	

**8. STABILITY AND REACTIVITY**

8.1 Conditions to Avoid
Higher Temperatures and direct sunlight (chemical resistance is excellent)
Highly stable, but temperatures over 480 F may cause degradation
8.2 Materials to Avoid
No data available
8.3 Hazardous Decomposition Products
Under fire and oxygen-lean conditions may cause monoxide and irritating smoke

**MSDS Information (continued)**

**9. ECOLOGICAL INFORMATION**

9.1 Ecotoxicity	No data available
9.2 Mobility	No data available
9.3 Persistence and Degradability	No data available
9.4 Bioaccumulative Potential	No data available
9.5 Other Adverse Effects	No data available

**10. DISPOSAL CONSIDERATIONS**

None of the materials in this product are Recyclable, dispose of all materials in accordance with an applicable federal, state, and local law.

**11. TRANSPORT INFORMATION**

No data available

**12. REGULATORY INFORMATION**

This product has been tested and validated to the Regulatory Requirements listed below:

- |  |  |
|--|--|
| <ul style="list-style-type: none"> <li>OSHA 29 CFR 1910.147 ©(4)(ii)(A)(1)/(c)(5)(ii)(C)(1)</li> </ul> | <ul style="list-style-type: none"> <li>ANSI Standard Z244</li> </ul> |
|--|--|

**13. OTHER INFORMATION**

No data available