

**Brady Steel Padlocks**

TDS No. LOTO-12  
Effective Date: 11/20/2012

**Description:**

**Design**

- Reinforced laminated steel withstands severe physical abuse, hardened steel shackle resists tampering
- Individually coated body plates provide superior rust protection & corrosion resistance
- Features a 5-pin cylinder
- Available in two shackle sizes, 8 stock colors, and options for custom keying (KD, KA, MK, GMK)



**Material**

- Lock body: laminated steel plates
- Shackle: Hardened Steel
- Color (of plastic band):
  - Black
  - Green
  - Blue
  - Violet
  - Red
  - Orange
  - Yellow
  - Brown
- UL Rating - UL 94 – HB (Plastic Components Only)

Chemical	°C	Chemical	°C
Acetone	15 – 60	Nickel salt solns. (chloride, sulfate)	15 – 30
Ammonia soln.	15 – 30	Petroleum	15 – 30
Ammonia soln.	48	Silicone oils	< 80
Fuel, engine: Gasoline (Leaded & Unleaded)	48	Toluene	15 – 30
Fuel, Diesel	85	Water (including seawater)	15 – 30
Heptane	15 – 30	Water (including seawater), chlorinated (<0,5 mg/l)	80
Lubrication oil: gear oil	< 130	Zinc chloride	15 – 30
Lubricating oil: HD engine oils, hydraulic oils, transformer oils	< 130		

**Temperature Range**

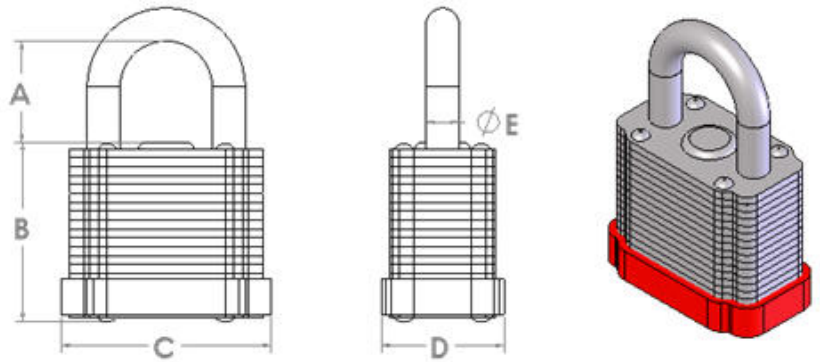
- Service Temperature: -55°C to 100°C (-70° F to 210° F)

**Chemical Resistance**

All approved chemicals listed are based on the manufactures specified chemical resistance chart for plastic material only.

## Dimensions

"A"	0.75" [20mm] 2.0" [50.8mm]
"B"	1.4" [36mm]
"C"	1.1" [28mm]
"D"	1.0" [25.7mm]
"ØE"	ø0.25" [6.5mm]



## Warranty

**Note:** All values shown are averages and should not be used for specification purposes. Test data and test results contained in this document are for general information only and shall not be relied upon by Brady customers for designs and specifications, or be relied on as meeting specified performance criteria. Customers desiring to develop specifications or performance criteria for specific product applications should contact Brady for further information.

Product compliance information is based upon information provided by suppliers of the raw materials used by Brady to manufacture this product or based on results of testing using recognized analytical methods performed by a third party, independent laboratory. As such, Brady makes no independent representations or warranties expressed or implied, and assumes no liability in connection with the use of this information.

## Catalog Numbers

### Brady – North America

www.bradyid.com

3/4" Shackle		2" Shackle			
1 Padlock	6 Padlocks	1 Padlock – Keyed Different	6 Padlocks – Keyed Different	3 Padlocks – Keyed Alike	6 Padlocks – Keyed Alike
99500	51279	99524	51290	105894	105898
99504	51280	99528	51291	105895	105899
99508	51281	99533	51292	105896	105900
99512	51282	99539	51297	105897	105901
99516	51283	99543	51298		
99520	81284	99548	51299		
101957	102696	101958	102698		
104920	104917	104921	104918		

## Details:

### MSDS Information

#### 1. HAZARDS IDENTIFICATION

This product is NOT DANGEROUS and contains no hazardous ingredients.

#### 2. FIRST AID MEASURES/HEALTH INFORMATION /PROTECTION

Eye Contact:	Not applicable, product is inert
Ingestion:	Not applicable, first aid is not normally required.
Inhalation:	Not applicable
Skin Contact:	Not applicable, product is inert, except if product is melted use gloves. For hot melted product, immerse in or flush affected area with water to dissipate heat, then obtain medical attention.
Exposure Limits:	None
Threshold Limits	None
Personal Protection:	None (ambient conditions)
NPCA-HMIS Rating:	Health: 0; Flammability: 1; Reactivity: 0
NFPA-704 Rating:	Health: 0; Flammability: 1; Reactivity: 0

#### 3. FIRE-FIGHTING MEASURES

<ul style="list-style-type: none"> <li>Be cautious of hot melted Nylon</li> <li>Isolate product from fire</li> <li>Extinguish fire with water spray</li> </ul>	<ul style="list-style-type: none"> <li>Use water spray to cool fire, exposed surfaces, and to protect personnel</li> <li>Respiratory and eye protection is required for fire fighting personnel</li> <li>Decomposition products under fire conditions: Oxygen-lean conditions may cause monoxide and irritating smoke</li> </ul>
----------------------------------------------------------------------------------------------------------------------------------------------------------------	----------------------------------------------------------------------------------------------------------------------------------------------------------------------------------------------------------------------------------------------------------------------------------------------------------------------------------

#### 4. ACCIDENTAL RELEASE MEASURES

Land	Recover material and place in suitable container for reuse or for disposal in conformance with local regulations.
Water	Recover material and place in suitable container for reuse or for disposal in conformance with local regulations.

#### 5. HANDLING AND STORAGE

5.1 Handling	5.2 Storage
No precautions noted-see local regulation if needed	Storage pressure: Atmospheric
	Storage temperature: Ambient, no direct sunlight

#### 6. EXPOSURE CONTROLS/PERSONAL PROTECTION

6.1 Exposure limit values	6.2 Exposure Controls
None	6.2.1 Occupational Exposure Controls
	6.2.1.1 Respiratory Protection: Not applicable
	6.2.1.2 Hand Protection: Not applicable
	6.2.1.3 Eye Protection: Not applicable
	6.2.1.4 Skin Protection: Not applicable
	6.2.2 Environmental Exposure Controls: No data available

#### 7. PHYSICAL AND CHEMICAL PROPERTIES

General Information	
Other Information	

#### 8. STABILITY AND REACTIVITY

8.1 Conditions to Avoid
Higher Temperatures and direct sunlight (chemical resistance is excellent)
Highly stable, but temperatures over 480 F may cause degradation
8.2 Materials to Avoid
No data available
8.3 Hazardous Decomposition Products
Under fire and oxygen-lean conditions may cause monoxide and irritating smoke

#### 9. ECOLOGICAL INFORMATION

9.1 Ecotoxicity	No data available
9.2 Mobility	No data available
9.3 Persistence and Degradability	No data available
9.4 Bioaccumulative Potential	No data available
9.5 Other Adverse Effects	No data available

#### 10. DISPOSAL CONSIDERATIONS

None of the materials in this product are Recyclable, dispose of all materials in accordance with an applicable federal, state, and local law.
------------------------------------------------------------------------------------------------------------------------------------------------

#### 11. TRANSPORT INFORMATION

No data available
-------------------

#### 12. REGULATORY INFORMATION

This product has been tested and validated to the Regulatory Requirements listed below.	
● OSHA 29 CFR 1910.147 (4)(ii)(A)(1)(c)(5)(ii)(C)(1)	● ANSI Standard Z244

#### 13. OTHER INFORMATION

No data available
-------------------

#### Trademarks:

**Note:** All values shown are averages and should not be used for specification purposes.

Test data and test results contained in this document are for general information only and shall not be relied upon by Brady customers for designs and specifications, or be relied on as meeting specified performance criteria. Customers desiring to develop specifications or performance criteria for specific product applications should contact Brady for further information.

Product compliance information is based upon information provided by suppliers of the raw materials used by Brady to manufacture this product or based on results of testing using recognized analytical methods performed by a third party, independent laboratory. As such, Brady makes no independent representations or warranties, express or implied, and assumes no liability in connection with the use of this information.

**WARRANTY**

Brady products are sold with the understanding that the buyers will test them in actual use and determine for themselves their adaptability to their intended uses. Brady warrants to the buyers that its products are free from defects in material and workmanship, but limits its obligation under this warranty to replacement of the product shown to Brady's satisfaction to have been defective at the time Brady sold it. This warranty does not extend to any persons obtaining the product from the buyers. This warranty is in lieu of any other warranty, express or implied, including, but not limited to, any implied warranty of merchantability or fitness for a particular purpose, and of any other obligations or liability on Brady's part. Under no circumstances will Brady be liable for any loss, damage, expense, or consequential damages of any kind arising in connection with the use, or inability to use, Brady's products.

Copyright 2016 Brady Worldwide, Inc. | All Rights Reserved  
Material may not be reproduced or distributed in any form without written permission.

---

Lockout/Tagout | 6555 West Good Hope Road | Milwaukee, Wisconsin 53223 | USA | Tel: 414-358-6600 | Fax: 414-228-5770